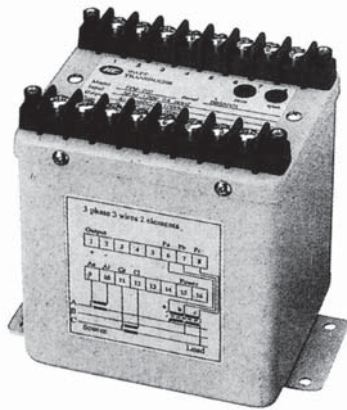
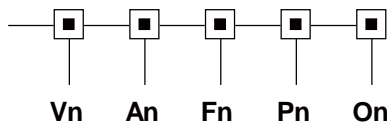


WATT TRANSDUCER

LPW301


- ⊙ High accuracy 0.07% rd + 0.03% ro
- ⊙ Excellent long term stability
- ⊙ Outstanding over capability and temperature performance
- ⊙ Wide selection of input / output ranges
- ⊙ Meets ANSI C37.90 (1989) and BEAMA No. 219 tests
- ⊙ High magnetic field immunity
- ⊙ Real power - able to measure distorted waveform

Order form

LPW301


Example : LPW301-V1-A2-F2-P1-O3

Input & Output parameters

| Vn : Voltage input | Vn rating range | V1 | V2 | V3 | Vy Specified | On : Output | | |
|----------------------|-----------------------|-------------------------|-------------------------|---------------------|-----------------|--|-----------------|-----------------|
| | | 120 V 0 - 150 V | 240 V 0 - 300 V | 480 V 0 - 600 V | | O1 0 - 1 mA | O2 0 - 20 mA | O3 4 - 20 mA |
| An : Current input | An rating range | A1 | A2 | A3 | Ay Specified | O4 | O5 | O6 |
| | | 1 A 0 - 1.5 A | 5A 0 - 7.5 A | 10A 0 - 15 A | | | 0 - 1 V | 0 - 5 V |
| Fn : Frequency input | Fn rating range | F1 | F2 | | Fy Specified | O7 | Oy | |
| | | 50 Hz 48 - 52 Hz | 60 Hz 58 - 62 Hz | | | | 2 - 10 V | Specified |
| Pn : Auxiliary power | Pn rating range | P1 | P2 | Ps | Py Specified | Py : DC24 / 48 / 125 V ± 15% or other range under specified | | |
| | | AC 120 V 120 V ± 15% | AC 240 V 240 V ± 15% | Internal Powered | | | | |

| Model | Application system | Std. calibration vs output full span (Watt) = D | | | | | | | | |
|--------|-------------------------------|---|------|-----|------------|----|-----|------------|----|-----|
| Watt | Elements - Connection | V1 = 120 V | | | V2 = 240 V | | | V3 = 480 V | | |
| | | 1A | 5A | 10A | 1A | 5A | 10A | 1A | 5A | 10A |
| LPW301 | 3E 3 phase 4 wires, unbalance | 300 | 1.5K | 3K | 600 | 3K | 6K | 1.2K | 6K | 12K |

Note

1. Standard output calibration
bipolar 0 to ± 1mA for 0 to ± D Watts
4-12-20mA for -D to 0 to +D Watts
2. External power mode suitably for all output types
Internal power mode, only suitably for 0-1mA / 0-20mA / 0-1V / 0-5V / 0-10V output


HSIANG CHENG ELECTRIC CORP.

4F., No.11, Ln. 235, Baoqiao Rd., Xindian Dist., New Taipei City 231, Taiwan

TEL : 886-2-2917-5865~9

FAX : 886-2-2917-3946

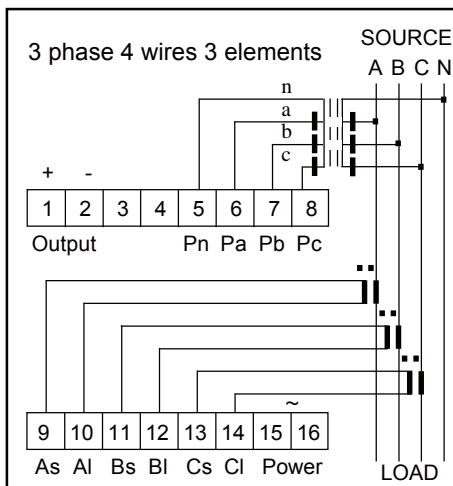
E-mail : expo.sales@hc.com.tw

http://www.hc.com.tw

Specification

| | | | |
|-----------------------------------|---|----------------------------------|--------------------------|
| Accuracy (23±3°C) | 0.07% reading / PF ± 0.03% RO | | |
| Maximum output load | DC current mode : maximum 10V drop DC voltage mode : maximum 5mA drive | | |
| Dielectric strength | AC 2KV 1 minute between terminals; AC 2.6KV 1 minute / terminals to case | | |
| Surge and impulse test | ANSI C37.90 / 1989, IEC 255-3 (1989) 4KV 1.2 x 50us | | |
| Maximum input over | Current related input | Voltage related input | |
| | 1A / 5A | 10A | |
| | 4 x rated / continuous | 2 x rated / continuous | 1.5 x rated / continuous |
| | 10 x rated / 10 seconds | 25 x rated / 1 second | 2 x rated / 10 seconds |
| | 50 x rated / 1 second | 50 x rated / 0.5 second | |
| | 80 x rated / 0.5 second | | |
| Input burden | Current less 0.2 VA; voltage less 0.1 VA | | |
| Response time & ripple | ≤400 ms for step change 0-99% ripple less 0.5% ro peak to peak | | |
| Frequency | 50 ± 2 Hz; 60 ± 2 Hz | | |
| Waveform | Watt - 2% 3rd | | |
| Stability | Temperature range (20 to 26°C) | long term stability / year | |
| | Maximum 60 ppm / °C | less 0.2% draft / year typically | |
| Storage condition | Temperature range -25 to 70°C, RH 20 to 95% non condensed | | |
| Operating condition | Temperature range -20 to 65°C, RH 0 to 99% non condensed | | |
| Magnetic field effect | < 0.01% under 100 ampere turns at 1M center | | |
| Power dissipation | < 3.5 VA | | |

Terminal Connection



DC power option for terminal 15 (+), 16 (-)

Dimension

