

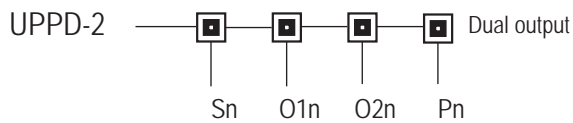
DC Isolating Transmitters

UPPD-2



Features

- Field - rangeability : wide switchable input ranges, 10mV-200V / 200uA-50mA
- Wide switchable output ranges, over 20 standard process signals
- Accuracy 0.2%
- High dielectric strength 4KV AC rms input / output /power / case
- Available standard or custom calibration



Input ranges Voltage	Sn	Input ranges Current	Sn	Output ranges voltage/current	O1n/O2n	Aux. power	Pn
0~10 mV	A	0~200 uA	1	0~1 V	A	HI	A
0~20 mV	B	0~500 uA	2	0~2 V	B	LO	C
0~50 mV	C	0~1 mA	3	0~5 V	C		
0~100 mV	D	0~2 mA	4	1~5 V	D		
0~200 mV	E	0~5 mA	5	0~10 V	E		
0~500 mV	F	1~5 mA	6	2~10 V	F		
0~1 V	G	0~10 mA	7	0~1 mA	G		
-1~+1 V	H	2~10 mA	8	0~2 mA	H		
0~2 V	I	0~20 mA	9	0~5 mA	I		
0~5 V	J	4~20 mA	10	1~5 mA	J		
1~5 V	K	0~50 mA	11	0~10 mA	K		
-5~+5 V	L	10~50 mA	12	2~10 mA	L		
0~10 V	M	20~4 mA	13	0~16 mA	M		
2~10 V	N	50~10 mA	14	0~20 mA	N		
-10~+10V	P	Specified	Y	4~20 mA	P		
0~20 V	Q			Specified	Y		
0~50 V	R						
0~100 V	S						
0~150 V	T						
0~200 V	U						

Applied Standards & Rules

1. Measuring and conversion	IEC 688
2. Dielectrical strength	IEC 688 4 KVac / 1 min.
3. Impulse test	ANSI C37.90a / 1974, IEEE 587 / 1983 IEC 255-4 6KV (1.2 x 50 us), 3KA (8 x 20 us) - current coil
4. Surge test (ring wave)	IEEE 587 / 1983 (3KV - 0.5us / 100KHz) IEC 255-4 (2.5KV - 0.25ms / 1MHz)
5. Adaptability for power system	VDE 0110
6. Measuring reliability	VDE 3540



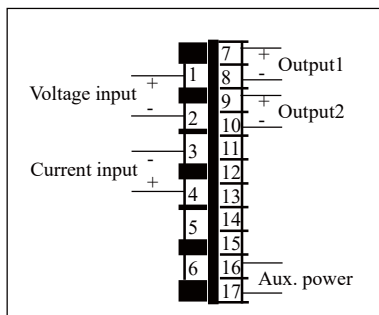
HSIANG CHENG ELECTRIC CORP.

4F., No.11, Ln. 235, Baoqiao Rd., Xindian Dist., New Taipei City 231, Taiwan
 TEL : 886-2-2917-5865~9 E-mail : expo.sales@hc.com.tw
 FAX : 886-2-2917-3946 http://www.hc.com.tw

Specification

Accuracy (23° ± 5°C)	0.2% RO
Linearity & repeatability	0.1% typical
Temperature stability	Less 0.008% ro per degree C
Configuration	Field rangeability Switchable input, span of DCV 10mV to 200V, DCmA of 0.2 to 50mA Switchable output over 20 standard signals
Input resistance - OHM	Voltage mode > 10MΩ of 2V & lower ranges > 500KΩ of higher 2V ranges 200Ω of all current input ranges
Maximum input over	Maximum 300V rms continuous of > 2V ranges Maximum 150V rms continuous of 2V & lower ranges Maximum 150mA continuous for all current input
Power effect	Less 0.003% for per volt change
Response time & ripple	Less 400ms typically, ripple less 0.1% ro
Common mode rejection	> 120db DC to 60Hz
Dielectric strength	4KV AC between input / output / power / case
Impulse & surge test	IEEE 587 / 1983 or IEC 255-4
Output drive capability	Maximum 10mA for voltage mode, maximum 10V for current mode
Storage condition	Temperature range -25 - +70 °C, RH 20-95% non-condensed
Operating condition	Temperature range -20 - +65 °C, RH 20-95% non-condensed
Power supply	LO: DC 24 - 60V ± 20% HI : AC 80 - 260V @40 - 70Hz / DC 80 - 330V Dissipation Max. 12VA for AC / 10W for DC
Dimension	WxHxD : 12T (60.6mm) x 3U (128.5mm) x 238mm

Terminal Connection



DC power for terminal 16 (+), 17 (-)

Dimension

