

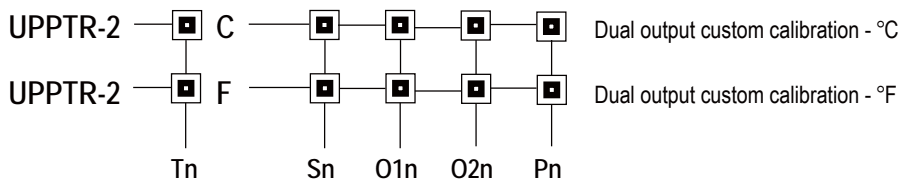
# RTD Isolating Transmitters

**UPPTR-2**



## Features

- Linearized output
- Field – rangeability switchable input & output ranges  
Changeable input range modules
- Accuracy 0.3%
- High dielectric strength 4KV AC rms input / output / power / case
- Available standard or custom calibration



Input modules Max. effective ranges	Tn	Input Ranges	Sn	Input Ranges	Sn	Output Ranges	O1n/ O2n	Aux. power	Pn
-110~110C/-170~170F	P1	-100~0	1	0~900	16	0~1 V	A	HI	A
-100~440C/-150~800F	P4	-100~50	2	0~1000	17	0~2 V	B	LO	C
-100~800C/-150~1500F	P8	-50~50	3	0~1100	18	0~5 V	C		
-100~250C/-150~450F	C4	-50~100	4	0~1200	19	1~5 V	D		
Note : Module P1/P4/P8 for PT 100Ω Module C4 for CU 10Ω		-50~200	5	0~1400	20	0~10 V	E		
		0~100	6	0~1500	21	2~10 V	F		
		0~150	7	Specified	Y	0~1 mA	G		
		0~200	8			0~2 mA	H		
		0~250	9			0~5 mA	I		
		0~300	10			1~5 mA	J		
		0~400	11			0~10 mA	K		
		0~500	12			2~10 mA	L		
		0~600	13			0~16 mA	M		
		0~700	14			0~20 mA	N		
	0~800	15			4~20 mA	P			

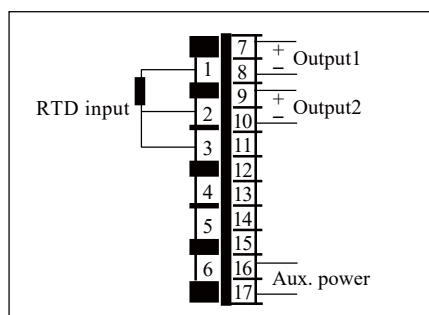
## Applied Standards & Rules

- |                             |  |
|-----------------------------|--|
| 1. Measuring and conversion | IEC 688                                |
| 2. Dielectrical strength    | IEC 688 4 KVac / 1 min.                |
| 3. Impulse test             | ANSI C37.90a / 1974, IEEE 587 / 1983   |
|                             | IEC 255-4 6KV (1.2 x 50 us)            |
| 4. Surge test (ring wave)   | IEEE 587 / 1983 (3KV - 0.5us / 100KHz) |
|                             | IEC 255-4 (2.5KV - 0.25ms / 1MHz)      |
| 5. Measuring reliability    | VDE 3540                               |

## Specification

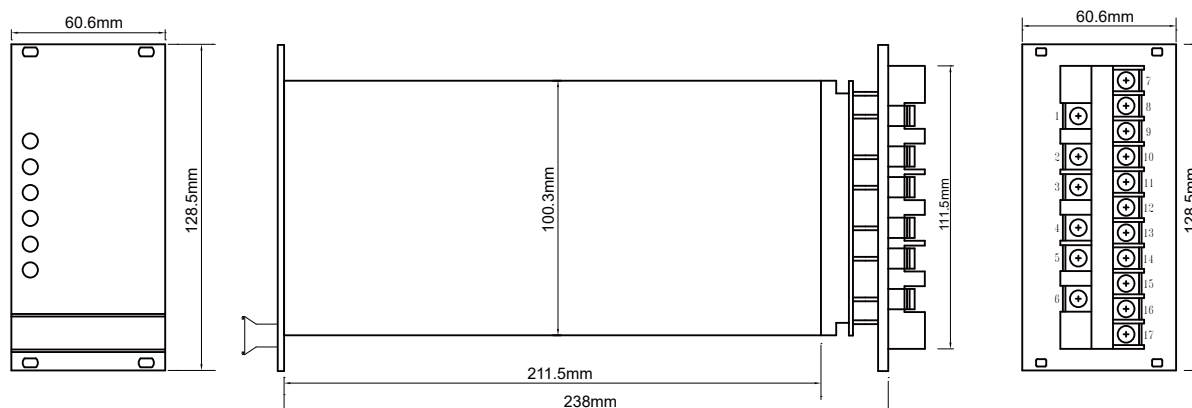
Accuracy (23° ± 5°C)	0.3% RO
Linearity & repeatability	0.1% typical
Temperature stability	Less 0.015% ro per degree C
Configuration	Three wires connection / applicable for two wires Excitation - 5mAdc constant current source Changeable input module Linearized output vs input temperature
Field rangeability	Selectable output mode for voltage or current mode Switchable of input ranges & output ranges Switchable AC power for 110V or 220V Selectable C / F calibration
Effect of wire resistance	Automatically eliminated for 3 wire connection Offset recalibration required as for 2 wire connection
Input break detection	Selectable Hi-set or Lo-set Hi-set over 110% of rated output Lo-set less 0.5% of rated output
Power effect	Less 0.003% for per volt change
Output drive capability	Maximum 10mA for voltage mode, maximum 10V for current mode
Response time & ripple	Less 400ms typically, ripple less 0.15% rms of span
Common mode rejection	> 80db 50 / 60Hz
Dielectric strength	4KV AC between input / output / power / case
Impulse & surge test	IEEE 587 / 1983 or IEC 255-4
Storage condition	Temperature range -25 - +70 °C, RH 20 - 95% non-condensed
Operating condition	Temperature range -20 - +65 °C, RH 20 - 95% non-condensed
Power supply	LO: DC 24 - 60V ± 20% HI : AC 80 - 260V @40 - 70Hz / DC 80 - 330V Dissipation Max. 12VA for AC / 10W for DC
Dimension	WxHxD : 12T (60.6mm) x 3U (128.5mm) x 238mm

## Terminal Connection



DC power for terminal 16 (+), 17 (-)

## Dimension



HSIANG CHENG ELECTRIC CORP.

4F., No.11, Ln. 235, Baoqiao Rd., Xindian Dist., New Taipei City 231, Taiwan

TEL : 886-2-2917-5865~9

E-mail : expo.sales@hc.com.tw

FAX : 886-2-2917-3946

http://www.hc.com.tw