

Temperature Transducer

USPT-2


- ⊙ Standard output with 0 - 1 mAdc;
Option on request
- ⊙ Dual isolated outputs eliminating
ground loop effect
- ⊙ Input module selectable
- ⊙ AC 1800V input / output / isolation meets
power series requirement
- ⊙ Meets IEEE SWC test

Specification

1.Accuracy 0.3% RO / 23 ± 3°C

2.Input (each element)

RTD input	USPT - 2 - PT ... PT100Ω / 0°C USPT - 2- CU... CU10Ω / 25°C Configuration ... three wires Exciting ... DC constant current
T / C input	USPT - 2 - J or K or E or T or N Sensing module : plug - in type selectable ... J / K / E / T / N Configuration : cold junction compensation & linearization Over capability 250Vac ... 30 sec
Ranges	Degree C or F 0 - 50 / 0 - 100 / 0 - 120 / 0 - 150 / 0 - 200 / 0 - 400 / 0 - 500 / 0 - 600 0 - 800 / 0 - 1000 / 0 - 1200 / 1 - 1500 / 0 - 2000 / 0 - 2250 or required specifying Effective range PT100 ... -100 ~ 400C / -150 ~ 800F CU 10 ... -100 ~ 400C / -150 ~ 800F J ... -100 ~ 750C / -150 ~ 1400F K ... -100 ~ 1250C / -150 ~ 2250F N ... -100 ~ 1250C / -150 ~ 2250F
Protection	Full protection for SURGE, EMI & RFI

3.Output (Dual outputs isolated each other > DC 600V isolation)

Output	USPT - 2 - PT, CU, J, K, E, T, N
Ranges	DC 0 - 1 / 0 - 5 / 1 - 5 / 0 - 10 / 0 - 20 / 4 - 20 mA DC 0 - 1 / 0 - 5 / 1 - 5 / 0 - 10 / 2 - 10V Standard calibration 0 - 1mA vs required input range Option calibration under required range
Drive ability	> 10Kohm for 0 - 1mA standard output > 10V for current output mode > 10mA for voltage output mode
Output impedance	> 30 Mega ohm
Response time	< 400 ms from 0 - 99% RO at operating
Ripple	< 0.5% P- P RO
Long term stability	< 0.3% RO per year
Temperature stability	RTD ... 0.012% of range / °C or 0.03°C / °C ... which ever great T / C ... 0.012% of range / °C or 0.05°C / °C ... which ever great
Adjustment	Span, zero ± 5% ro minimum or under required

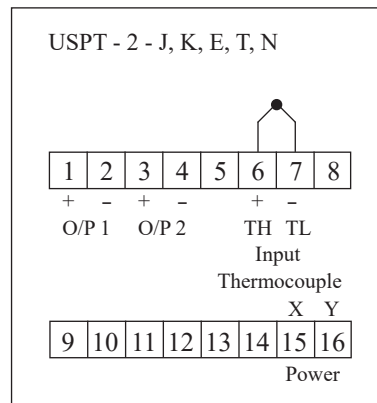
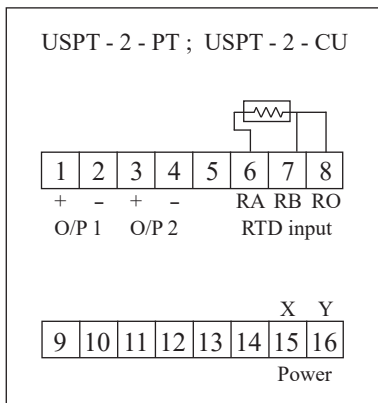
Protection	No damage ... open or short; full protection of SURGE, EMI, RFI
Magnetic effect	< 0.04% at center 400 A - T / M

4.Operation condition

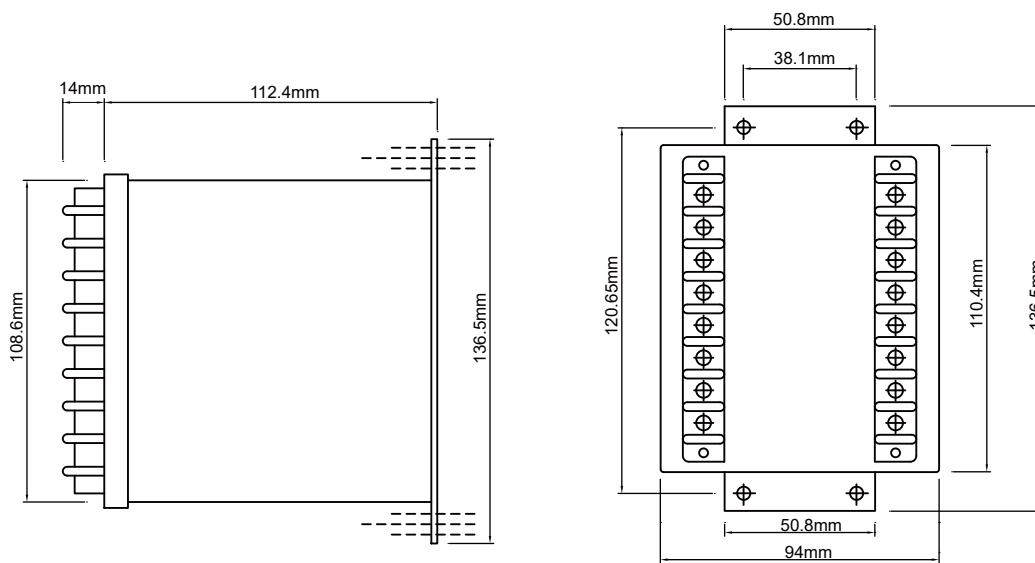
Environment

Temperature	-5 - 60°C
Humidity	20 - 99% RH non condensed
Elevation	Under 3000 meters
Magnetic field	500 A - T / M
Dielectric strength	4KV AC rms 1 minute between input / output / power / case IEC 688
Impulse test	ANSI C37.90/1989, IEEE 587/1983, IEC 255-3, 6KV (1.2 x 50 us), 3KA (8 x 20 us) current only
Surge test (ring wave)	IEEE 587/1983 (3KV - 0.5us / 100KHz) IEC 255-3 (2.5KV - 0.25ms / 1MHz)
Power supply	LO: DC 24 - 60V ± 20% HI : AC 80 - 260V @40 - 70Hz / DC 80 - 330V Dissipation Max. 12VA for AC / 10W for DC

Terminal Connection



Dimension



HSIANG CHENG ELECTRIC CORP.

4F., No.11, Ln. 235, Baoqiao Rd., Xindian Dist., New Taipei City 231, Taiwan
 TEL : 886-2-2917-5865~9 E-mail : expo.sales@hc.com.tw
 FAX : 886-2-2917-3946 http://www.hc.com.tw