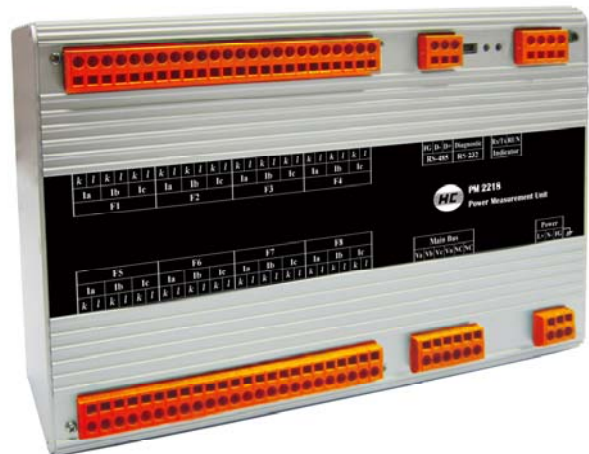


Power Measurement Unit

PM 2218

Application and features

- ⊙ Power supervision / SCADA system
- ⊙ Feeder automation / customized
- ⊙ 0.05% high accuracy
- ⊙ Cost saving for 4 feeder transducers
- ⊙ Power quality analysis IEC 61000-4-30
- ⊙ Speedy real data conversion rate up to 1 cycle



Specification

1. Unit configuration

1-1 Processing and interface

CPU	32 bits
Comports	Main : RS-485 / option : LAN – RJ45 Diagnostic : RS-232
Protocol	Modbus RTU

1-2 Inputs

Voltages / main bus	Software setup	Detection (* vector composed)
	3U – 3 phase 4 wires	Va, Vb, Vc, *V0 ; *Vab, *Vbc, *Vca
Currents / 8 feeders	3U – 3 phase 3 wires	*Va, *Vb, *Vc ; Vab, Vbc, *Vca
	3I / Ia, Ib, Ic	Ia, Ib, Ic, *I0
Input setup and wiring	2I / Ia, Ic	Ia, *Ib, Ic
	3P4W 3CT / 3U12I	
	3P3W 3CT / 3U12I 3P3W 2CT / 3U8I	
Conversion	3 elements	P, Q (P1, P2, P3, Q1, Q2, Q3)
	ADC 16 bits with 8 synchronized channels	
	Rate of real data conversion, 1-32 cycle adjustable	

1-3 Power quality analysis (option)

IEC 61000-4-30
 Harmonic analysis
 Voltage dips
 Voltage unbalance (negative and zero sequence)
 Voltage flicker ΔV_{10}
 Voltage low frequency spectrum (0.5-5Hz)

1-4 Waveform recording (option)

Ring buffer, length of 16 cycles total 1728 samples / three phase phasor
 AC waveform 36 samples / cycle
 Trend of speedy real rms datas 36 samples / cycle
 5 three phase phasors maximum



HSIANG CHENG ELECTRIC CORP.

4F., No.11, Ln. 235, Baoqiao Rd., Xindian Dist., New Taipei City 231, Taiwan (R.O.C.)

HSIANG CHENG

TEL : 886-2-29175865~9

FAX : 886-2-29173946

E-mail : expo.sales@hc.com.tw

2. Input ranges

Voltages	Frequency : 45 – 65 Hz 10 – 300V phase to neutral Maximum over $\leq 1000V_{rms}$, 2 seconds Input resistance $\geq 1M\Omega$
Currents	CT 5A (0 ~ 6A) or CT 1A (0 ~ 1.2A) Maximum over 3 x CT continuous : $\leq 25 \times CT$, 2 seconds : $\leq 50 \times CT$, 1 seconds Burden $\leq 0.1VA$ for 1 x CT input

3. Measured parameters

3-1 Normal parameters

	$25\pm 5^{\circ}C$ Stability $\leq 50PPM (-10\sim 50^{\circ}C)$, $\leq 70PPM (-30\sim 70^{\circ}C)$
System frequency (Hz)	⊙ 0.05% of nominal frequency
Voltage (RMS)	⊙ 0.2% of nominal voltage Voltages phase to neutral, phase and Σ Voltages phase to phase, line and Σ
Current (RMS)	⊙ 0.5% of nominal voltage for V_0 ⊙ 0.2% of nominal CT, I_a , I_b , I_c and Σ ⊙ 0.5% of nominal CT for I_0
Active power (W)	⊙ 0.5% of (nominal voltage x CT), phase and Σ
Reactive power (Var)	⊙ 0.5% of (nominal voltage x CT), phase and Σ
Active energy (WH)	⊙ 0.5% of (Equate to Active Power), Σ each Feeder
Reactive energy (VarH)	⊙ 0.5% of (Equate to Reactive Power) , Σ each Feeder
Power factor (PF)	⊙ 0.5% (each phase and Feeder)
Phase angle	⊙ 0.5° for A-V (each phase)
Phase rotation	⊙ Auto-detection

3-2 Power quality parameters

Sequence (voltage)	⊙ 0.2% of nominal voltage Positive sequence Negative sequence Zero sequence
Voltage unbalance	⊙ 0.2% of positive sequence voltage Zero sequence unbalance (%) Negative sequence unbalance (%)
Distortion in harmonics	Analysis in V_a , V_b , V_c , I_a , I_b , I_c Analysis with fundamental and 2 th to 17 th Distortion, HD-F and THD-F
Voltage flicker	ΔV_{10} (%)
Spectrum of low frequency	0.5 – 1 – 2 – 3 – 4 – 5 Hz



Voltage dips

Pick up with time inversed curve



HSIANG CHENG ELECTRIC CORP.

4F., No.11, Ln. 235, Baoqiao Rd., Xindian Dist., New Taipei City 231, Taiwan (R.O.C.)

HSIANG CHENG

TEL : 886-2-29175865~9

FAX : 886-2-29173946

E-mail : expo.sales@hc.com.tw

4. Electrical characteristics

Dielectric strength	◎ IEC 255-5, 2KV ACRMS 1 minute
Impulse and surge	◎ IEC 61000-4-2, class III IEC 61000-4-3, class III IEC 61000-4-4, class III IEC 61000-4-5, class III IEC 61000-4-12, class III
Safety	◎ IEC 60068-2 standard for burn-in test : operating Temperature cycling test -40 to 85°C (start at -40 to 85°C, 2 cycle 8 hours), RH 10 to 95% non-condensed High temperature test 85°C RH 55% 16 hours Temperature / humidity cycling test 40°C RH 95% 16 hours ◎ IEC 60068-2-6 : Vibration endurance 2G 9-350Hz 1 hour ◎ IEC 60068-2-27 : Mechanical shock test 15G 11ms 24 hours
Power supply	LO : DC 20~60V HI : AC 80~260V @ 40~70 Hz, DC 80~330V Dissipation maximum 10 VA for AC and 5W for DC



HSIANG CHENG ELECTRIC CORP.

4F., No.11, Ln. 235, Baoqiao Rd., Xindian Dist., New Taipei City 231, Taiwan (R.O.C.)

HSIANG CHENG

TEL : 886-2-29175865~9

FAX : 886-2-29173946

E-mail : expo.sales@hc.com.tw

5. Model & Ordering

Model : PM 2218

Ordering :

PM2218_3U24I - A - 1 - 1 - LO - 1 - B

Version

Voltage Input

1 : 10-300V

Current Input

1 : 0-1A

2 : 0-5A

Power

HI : AC 80-260V, DC 80-330V

LO : DC 20-60V

Option

N : None

A : Power Quality Analysis

B : Waveform Recode

Communication Port

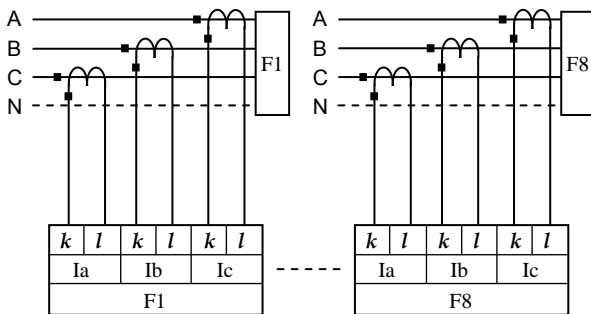
1 : RS-485 + RS-232

2 : RS-485 + RS-232 + RJ-45

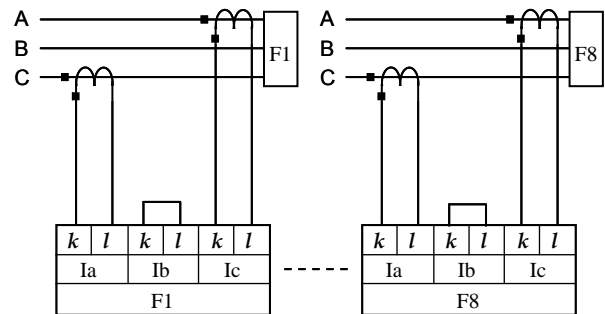
Y : Special ordering

6. Wiring

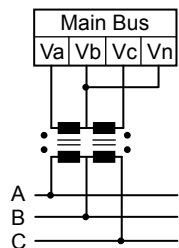
3 Current (Ia, Ib, Ic) for 3P4W, 3P3W



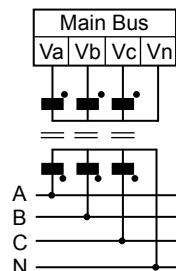
2 Current (Ia, Ic) for 3P3W



3 phase 3 wires 3U input



3 phase 4 wires 3U input



HSIANG CHENG ELECTRIC CORP.

4F., No.11, Ln. 235, Baoqiao Rd., Xindian Dist., New Taipei City 231, Taiwan (R.O.C.)

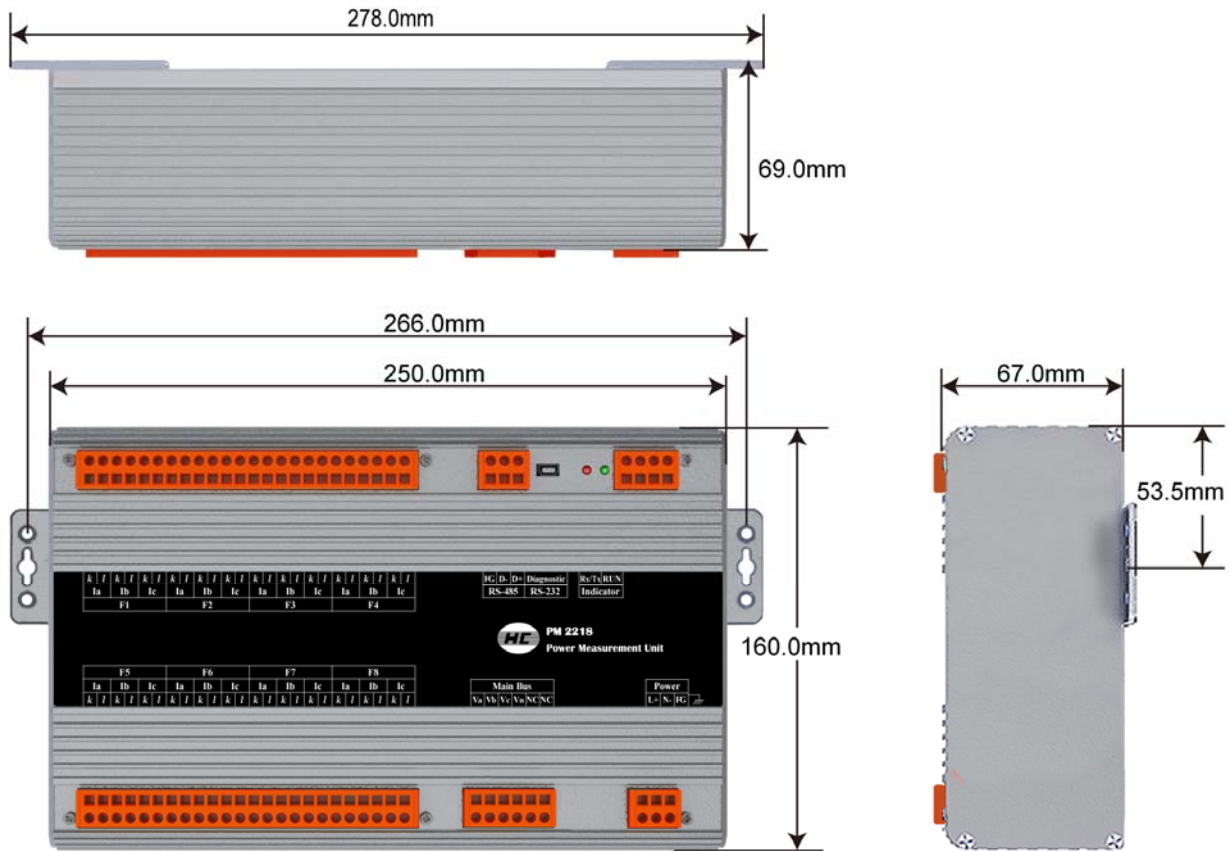
HSIANG CHENG

TEL : 886-2-29175865~9

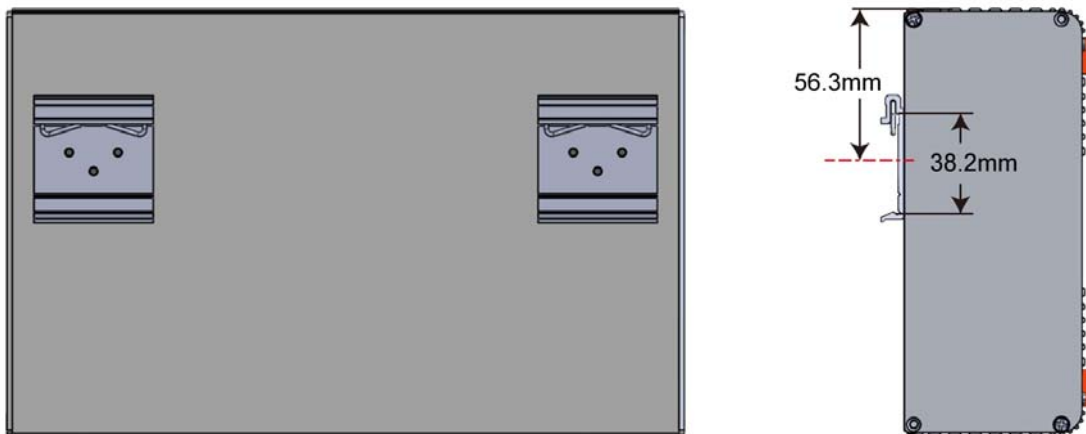
FAX : 886-2-29173946

E-mail : expo.sales@hc.com.tw

7. Dimension/Mount



Din Rail Mount (with 35 mm)



8. Wight = 1300g ± 50g



HSIANG CHENG ELECTRIC CORP.

4F., No.11, Ln. 235, Baoqiao Rd., Xindian Dist., New Taipei City 231, Taiwan (R.O.C.)

HSIANG CHENG

TEL : 886-2-29175865~9

FAX : 886-2-29173946

E-mail : expo.sales@hc.com.tw