

# DC ISOLATING TRANSDUCER

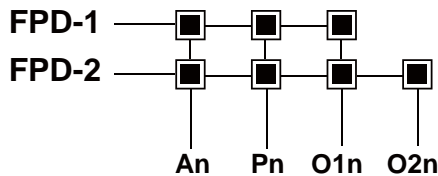
**FPD**



### Applied Standards & Rules

Measuring and conversion	IEC 688 / 1992 - 04
Dielectrical strength	IEC 688 2KVac / 1 min.
Surge and Impulse test	ANSI C37.90 / 1989 IEC 255-3 (1989) 4KV 1.2 x 50 us

### Order form



Input Ranges Voltage	An	Input Ranges Current	An	Output Range Voltage/Current	O1n O2n	Aux. Power Standard	Pn
0~10 mV	A	0~200 uA	1	0~1 V	A	AC 120 V	A
0~20 mV	B	0~500 uA	2	0~2 V	B	AC 240 V	B
0~50 mV	C	0~1 mA	3	0~5 V	C		
0~100 mV	D	0~2 mA	4	1~5 V	D	Option	
0~200 mV	E	0~5 mA	5	0~10 V	E		
0~500 mV	F	1~5 mA	6	2~10 V	F	DC 24 V	C
0~1 V	G	0~10 mA	7	0~1 mA	G	DC 48 V	D
0~2 V	H	2~10 mA	8	0~2 mA	H	DC 12 V	E
0~5 V	I	0~20 mA	9	0~5 mA	I		
1~5 V	J	4~20 mA	10	1~5 mA	J		
0~10 V	K	10~50 mA	11	0~10 mA	K		
2~10 V	L	Specified	Y	2~10 mA	L		
0~20 V	M			0~16 mA	M		
0~50 V	N			0~20 mA	N		
0~100 V	P			4~20 mA	P		
0~150 V	Q			Specified	Y		
0~200 V	R						



**HSIANG CHENG ELECTRIC CORP.**

4F., No.11, Ln. 235, Baoqiao Rd., Xindian Dist., New Taipei City 231, Taiwan

TEL : 886-2-2917-5865~9

E-mail : expo.sales@hc.com.tw

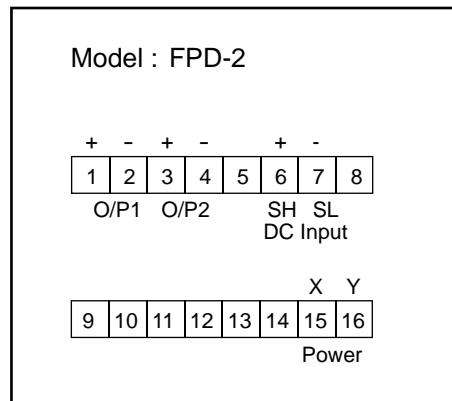
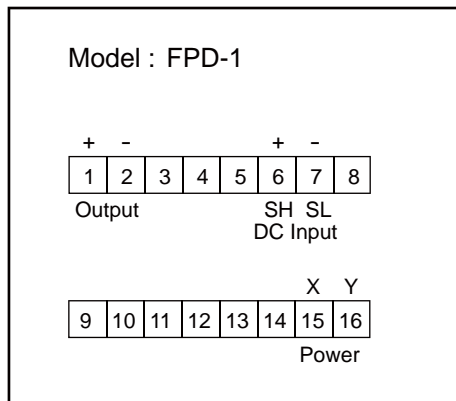
FAX : 886-2-2917-3946

http://www.hc.com.tw

## Specification

<b>Accuracy ( 23±3°C )</b>	0.25% of effective range
<b>Linearty &amp; repeatability</b>	0.05% typical
<b>Dielectric strength</b>	1500Vac ... power / input & output terminals 1800Vac ... input / output / case
<b>Output drive capability</b>	≤ 10mA for voltage mode, ≤ 10V for current mode
<b>Maximum input over</b>	≤ 300Vrms continuous ... > 2V ranges ≤ 150Vrms continuous ... ≤ 2V ranges ≤ 150mA continuous for current input
<b>Input resistance-ohm</b>	≥ 100M ... ≤ 2V ranges, ≥ 500K ... >2V ranges ≤ 20 ... for all current input range
<b>Power effect</b>	< 0.003% for per volt change
<b>Response time &amp; ripple</b>	250 ms typically, ripple < 0.1% rms or
<b>Common mode rejection</b>	120dB, DC to 60Hz
<b>Temperated stability</b>	≤ 0.007% ro per degree C
<b>Storage condition</b>	Temperature range -10 to 70°C, RH 20 to 95% non condensed
<b>Operating condition</b>	Temperature range -5 to 55°C, RH 20 to 95% non condensed
<b>Power supply</b>	±10% of rated, less 3.5 VA for AC input ±10% of rated, less 3.5 Watt for DC input
<b>Construction</b>	Socket plug-in type with barrier terminals

## Terminal Connection



DC power option for terminal 15 (+), 16 (-)

## Dimension

