

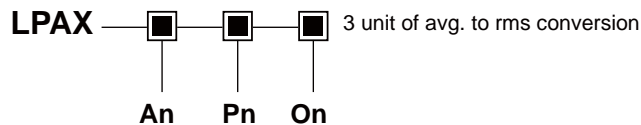
AC CURRENT TRANSDUCERS

LPAX



- ⊙ High accuracy
0.1% ro
- ⊙ Excellent long term stability
- ⊙ Outstanding over capability and temperature performance
- ⊙ Wide selection of input / output ranges
- ⊙ Meets ANSI C37.90 (1989) and BEAMA No. 219 tests

Order form



Input & Output parameters

An : Current input	An rating range	A1	A2	A3	Ay Specified	On : Output		
		1 A 0 - 1.5 A	5A 0 - 7.5 A	10A 0 - 15 A		O1 0 - 1 mA	O2 0 - 20 mA	O3 4 - 20 mA
Pn : Auxiliary power	Pn rating range	P1 AC120 V 120 V ± 15%	P2 AC240 V 240 V ± 15%	Ps Internal Power	Py Specified	O4 0 - 1 V	O5 0 - 5 V	O6 0 - 10 V
						O7 2 - 10 V	Oy Specified	

Py : DC24 / 48 / 125 V ± 20% or other range under specified

Note

1. External power mode suitably for all output types
 Internal power mode, only suitably for 0-1mA / 0-20mA / 0-1V / 0-5V / 0-10V output



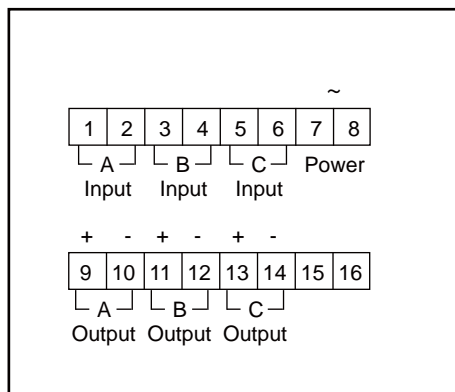
HSIANG CHENG ELECTRIC CORP.

4F., No.11, Ln. 235, Baoqiao Rd., Xindian Dist., New Taipei City 231, Taiwan
 TEL : 886-2-2917-5865~9 E-mail : expo.sales@hc.com.tw
 FAX : 886-2-2917-3946 http://www.hc.com.tw

Specification

Accuracy (23±3°C)	0.1% RO	
Maximum output load	DC current mode : maximum 10V drop DC voltage mode : maximum 5mA drive	
Dielectric strength	AC 2KV 1 minute between terminals; AC 2.6KV 1 minute / terminals to case	
Surge and impulse test	ANSI C37.90 / 1989, IEC 255-3 (1989) 4KV 1.2 x 50us	
Maximum input over	Current related input	
	1A / 5A	10A
	4 x rated / continuous	2 x rated / continuous
	10 x rated / 10 seconds	25 x rated / 1 second
	50 x rated / 1 second	50 x rated / 0.5 second
	80 x rated / 0.5 second	
Input burden	Less 0.2 VA	
Response time & ripple	≤ 400 ms for step change 0-99%	ripple less 0.5% ro peak to peak
Frequency	45 ~ 400 Hz	
Stability	Temperature range (20 to 30°C)	long term stability / year
	Maximum 60 ppm / °C	less 0.2% draft / year typically
Storage condition	Temperature range -25 to 70°C, RH 20 to 95% non condensed	
Operating condition	Temperature range -20 to 65°C, RH 0 to 99% non condensed	
Magnetic field effect	< 0.01% under 100 ampere turns at 1M center	
Power dissipation	Maximum 8 VA	

Terminal Connection



DC power option for terminal 7 (+) , 8 (-)

Dimension

