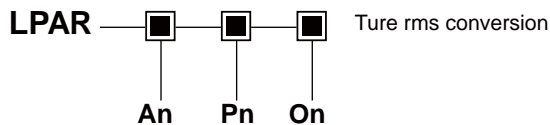


# AC CURRENT TRANSDUCERS

**LPAR**


- ⊙ High accuracy  
0.2% ro
- ⊙ Excellent long term stability
- ⊙ Outstanding over capability and temperature performance
- ⊙ Wide selection of input / output ranges
- ⊙ Meets ANSI C37.90 (1989) and BEAMA No. 219 tests

## Order form



## Input & Output parameters

An : Current input	An rating range	A1	A2	A3	Ay Specified	On : Output		
		1 A 0 - 1.5 A	5A 0 - 7.5 A	10A 0 - 15 A		O1 0 - 1 mA	O2 0 - 20 mA	O3 4 - 20 mA
Pn : Auxiliary power	Pn rating range	P1	P2	Ps Internal Power	Py Specified	O4	O5	O6
		AC120 V 120 V ± 15%	AC240 V 240 V ± 15%			0 - 1 V	0 - 5 V	0 - 10 V
						O7	Oy	
						2 - 10 V	Specified	

Py : DC24 / 48 / 125 V ± 20% or other range under specified

## Note

- External power mode suitably for all output types  
Internal power mode, only suitably for 0-1mA / 0-20mA / 0-1V / 0-5V / 0-10V output


**HSIANG CHENG ELECTRIC CORP.**

4F., No.11, Ln. 235, Baoqiao Rd., Xindian Dist., New Taipei City 231, Taiwan

TEL : 886-2-2917-5865~9

FAX : 886-2-2917-3946

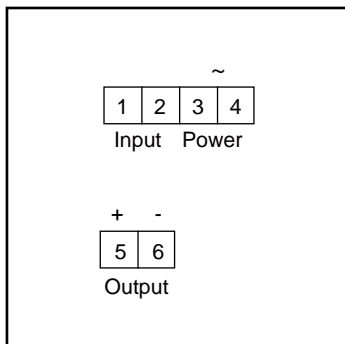
E-mail : expo.sales@hc.com.tw

<http://www.hc.com.tw>

## Specification

<b>Accuracy ( 23±3°C )</b>	0.2% RO	
<b>Maximum output load</b>	DC current mode : maximum 10V drop DC voltage mode : maximum 5mA drive	
<b>Dielectric strength</b>	AC 2KV 1 minute between terminals; AC 2.6KV 1 minute / terminals to case	
<b>Surge and impulse test</b>	ANSI C37.90 / 1989, IEC 255-3 (1989) 4KV 1.2 x 50us	
<b>Maximum input over</b>	Current related input	
	1A / 5A	10A
	4 x rated / continuous	2 x rated / continuous
	10 x rated / 10 seconds	25 x rated / 1 second
	50 x rated / 1 second	50 x rated / 0.5 second
	80 x rated / 0.5 second	
<b>Input burden</b>	Less 0.2 VA	
<b>Response time &amp; ripple</b>	≤ 400 ms for step change 0-99%	ripple less 0.5% ro peak to peak
<b>Frequency</b>	45 ~ 400 Hz	
<b>Stability</b>	Temperature range ( 20 to 30°C )	long term stability / year
	Maximum 60 ppm / °C	less 0.2% draft / year typically
<b>Storage condition</b>	Temperature range -25 to 70°C, RH 20 to 95% non condensed	
<b>Operating condition</b>	Temperature range -20 to 65°C, RH 0 to 99% non condensed	
<b>Magnetic field effect</b>	< 0.01% under 100 ampere turns at 1M center	
<b>Power dissipation</b>	Maximum 3.5 VA	

## Terminal Connection



DC power option for terminal 3 (+) , 4 (-)

## Dimension

