

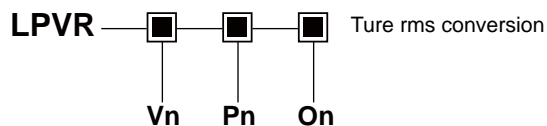
AC VOLTAGE TRANSDUCERS

LPVR



- ⊙ High accuracy
0.2% ro
- ⊙ Excellent long term stability
- ⊙ Outstanding over capability and temperature performance
- ⊙ Wide selection of input / output ranges
- ⊙ Meets ANSI C37.90 (1989) and BEAMA No. 219 tests

Order form



Input & Output parameters

Vn : Voltage input	Vn rating range	V1	V2	V3	Vy Specified	On : Output		
		150 V 0 - 150 V	300 V 0 - 300 V	600 V 0 - 600 V		O1 0 - 1 mA	O2 0 - 20 mA	O3 4 - 20 mA
Pn : Auxiliary power	Pn rating range	P1	P2	Ps Internal Power	Py Specified	O4 0 - 1 V	O5 0 - 5 V	O6 0 - 10 V
		AC120 V 120 V ± 15%	AC240 V 240 V ± 15%			O7 2 - 10 V	Oy Specified	

Py : DC24 / 48 / 125 V ± 20% or other range under specified

Note

1. External power mode suitably for all output types
 Internal power mode, only suitably for 0-1mA / 0-20mA / 0-1V / 0-5V / 0-10V output



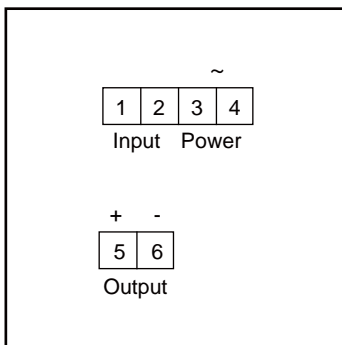
HSIANG CHENG ELECTRIC CORP.

4F., No.11, Ln. 235, Baoqiao Rd., Xindian Dist., New Taipei City 231, Taiwan
 TEL : 886-2-2917-5865~9 E-mail : expo.sales@hc.com.tw
 FAX : 886-2-2917-3946 http://www.hc.com.tw

Specification

Accuracy (23±3°C)	0.2% RO	
Maximum output load	DC current mode : maximum 10V drop DC voltage mode : maximum 5mA drive	
Dielectric strength	AC 2KV 1 minute between terminals; AC 2.6KV 1 minute / terminals to case	
Surge and impulse test	ANSI C37.90 / 1989, IEC 255-3 (1989) 4KV 1.2 x 50us	
Maximum input over	Voltage related input 1.5 x rated / continuous 2 x rated / 10 seconds	
Input burden	Less 0.1 VA	
Response time & ripple	≤ 400 ms for step change 0-99%	ripple less 0.5% ro peak to peak
Frequency	45 ~ 400 Hz	
Stability	Temperature range (20 to 30°C)	long term stability / year Maximum 60 ppm / °C less 0.2% draft / year typically
Storage condition	Temperature range -25 to 70°C, RH 20 to 95% non condensed	
Operating condition	Temperature range -20 to 65°C, RH 0 to 99% non condensed	
Magnetic field effect	< 0.01% under 100 ampere turns at 1M center	
Power dissipation	Maximum 3.5 VA	

Terminal Connection



DC power option for terminal 3 (+) , 4 (-)

Dimension

